

# **SINGER**

## **261-1**

Form 21195  
(561)  
Printed in U. S. A.

LIST OF PARTS COMPLETE  
FOR  
NO. 261-1 MACHINE

From the library of: Diamond Needle Corp

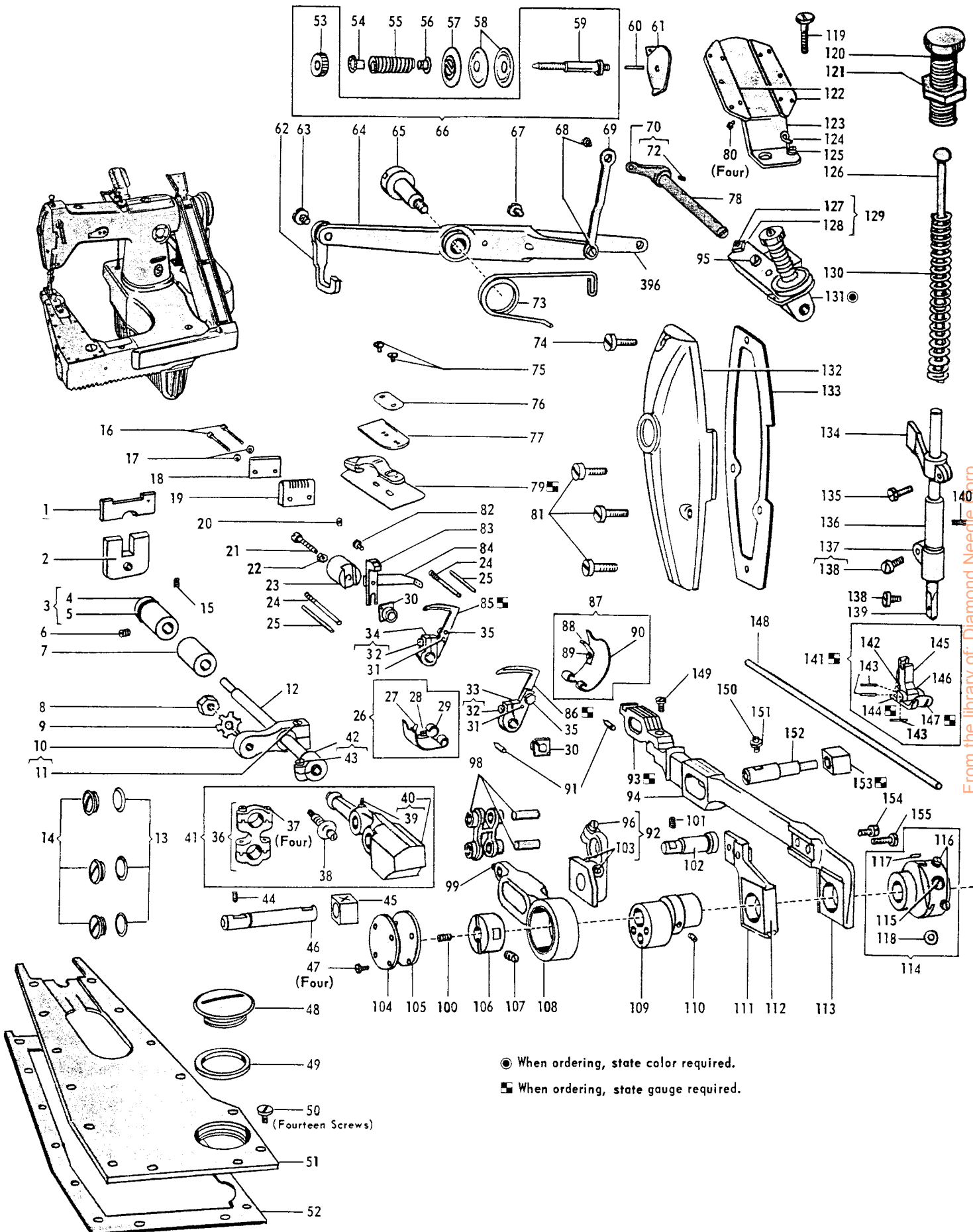
**SINGER\***  
261-1  
**PARTS**

**THE SINGER COMPANY**

Copyright ©1962 by The Singer Company  
All Rights Reserved under Inter-American Copyright Union  
Copyright under International Copyright Union

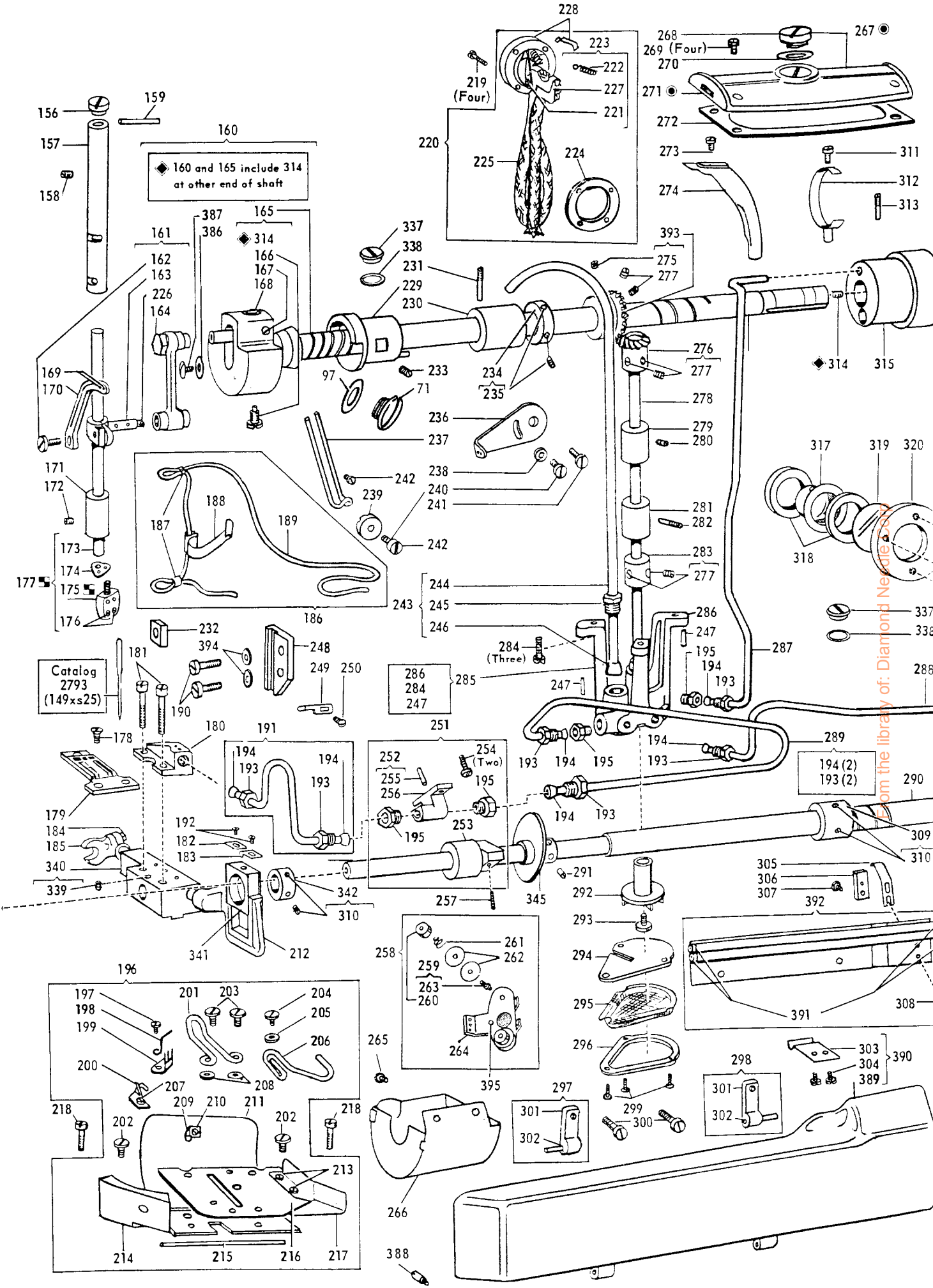
Printed in U. S. A.

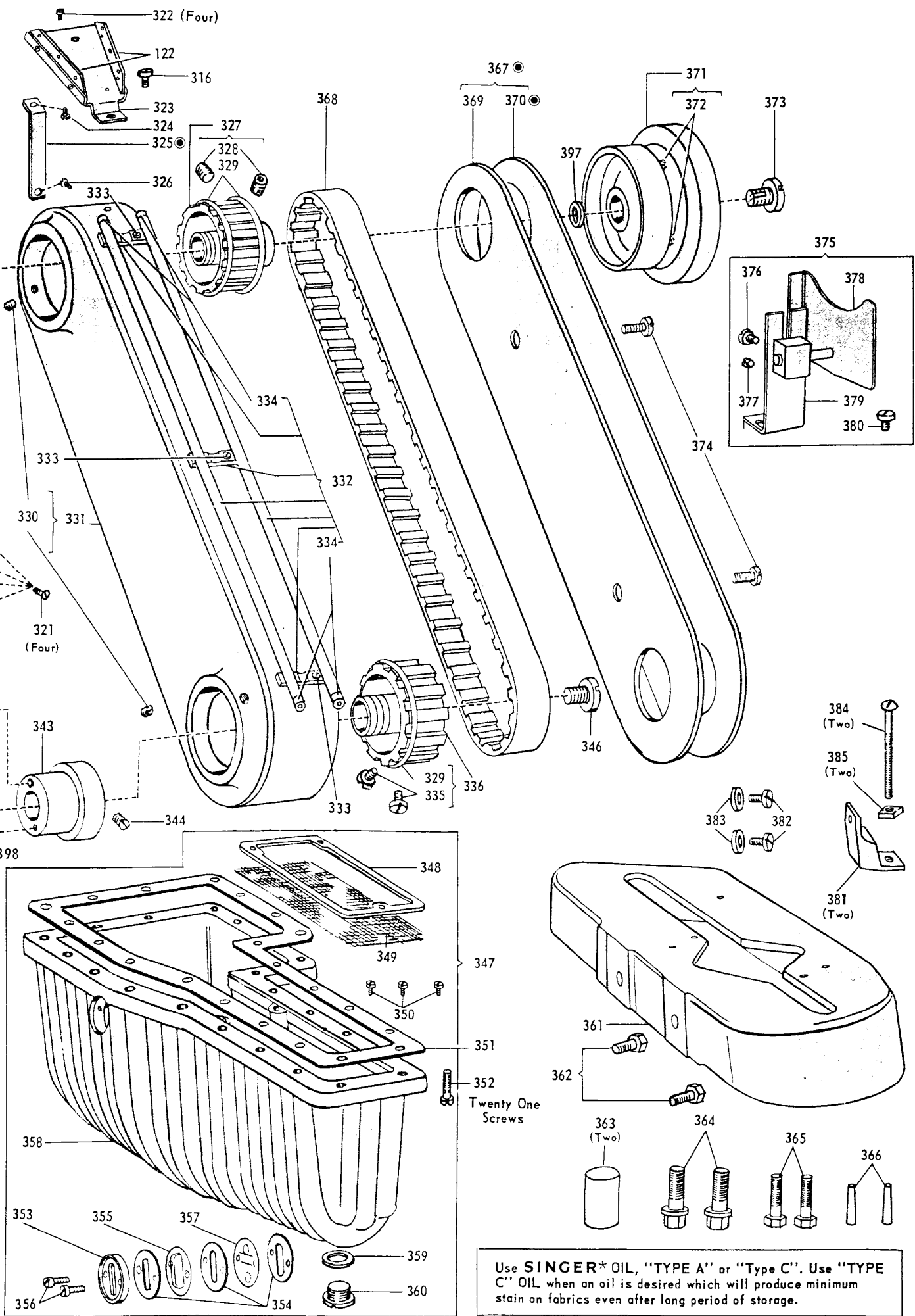
\*A Trademark of THE SINGER COMPANY



⊙ When ordering, state color required.

■ When ordering, state gauge required.





Use **SINGER**\* OIL, "TYPE A" or "Type C". Use "TYPE C" OIL when an oil is desired which will produce minimum stain on fabrics even after long period of storage.

**LIST OF PARTS 261-1**

CODE	PART NUMBER	NAME	COMPONENTS	CODE	PART NUMBER	NAME	COMPONENTS
1	143615	Oil Shield (felt) upper		97	147070	Arm Hole Plug Screw Washer	
2	143614	Oil Shield (felt) lower		98	23103	Connecting Link and Hinge Pin	
3	143552	BUSHING (back) OCOMP.	143485 with 143551	99	1047	Set Screw	
4	143485	Bushing (back)		100	141163	Shaft Screw (left)	
5	143551	Oil Seal (rubber)		101	446	Set Screw	
6	443	Set Screw		102	139534	Hinge Stud	
7	143486	Bushing (front)		103	1253	Set Screw (2)	
8	1520	Stud Nut		104	139030	Bushing Cover	
9	128521	Lock Washer		105	139031	Cover Gasket	
10	139059	CRANK	with 1057	106	143443	Bushing (left)	
11	1057	Pinch Screw		107	140331	Set Screw	
12	143484	Looper Holder Shaft		108	143462	LOOPER ECCENTRIC CONNECTION	with 1047
13	139509	Gasket (3)		109	143461	LOOPER ECCENTRIC AND FEED LIFTING ECCENTRIC	with two 1036
14	139510	Oil Plug (3)		110	1036	Set Screw (2)	
15	454	Set Screw		111	139432	Feed Lifting Eccentric Forked Connection	
16	198	Screw (2)		112	143451	Slide Block	
17	29043	Washer (2)		113	143450	Slide Block	
18	139181	Thread Cutter		114	143449	FEED ECCENTRIC (adjustable) COMPLETE	with 217, 7071, 50328 and two 51061
19	143524	Thread Guide		115	217	Screw	
20	456	Set Screw		116	51061	Set Screw (2)	
21	1187	Adjusting Screw		117	50328	Feed Regulating Screw	
22	51781	Nut		118	7071	Clamping Washer	
23	139120	Guard Holder		119	376	Bracket Screw	
24	143479	Screw Stud (2)		120	141001	Pressure Regulating Thumb Screw	
25	143480	Position Pin (2)		121	51614	Lock Nut	
26	143465	LOOPER GATE (left)	143464 with 51282 and 143470	122	139158	Needle Thread Guide (2)	
	143467	LOOPER GATE (left)	143466 with 51282 and 143470	123	139158	Looper Thread Guide (2)	
	143469	LOOPER GATE (left)	143468 with 51282 and 143470	124	139180	Needle Thread Guide Bracket	
27	143470	Lock Spring		125	139177	Thread Eyelet	
28	51282	Screw		126	207	Screw	
29	143464	Looper Gate (left) for 2 1/32" Throat Plate		127	146612	Guide Pin	
	143466	Looper Gate (left) for 3/4" Throat Plate		128	316	Stop Screw	
	143468	Looper Gate (left) for 7/8" Throat Plate		129	1547	Nut	
30	143483	Bushing (eccentric (2))		130	15444	STOP SCREW	316 with 1547
31	26276	Position Pin (2)		131	143512	Presser Bar Spring	
32	141158	Socket Screw(2)	with 141158, 26276	132	68002	Tension Bracket	
33	141282	LOOPER HOLDER (front)	with 141158, 26276	133	143447	Face Plate	
34	143481	LOOPER HOLDER (back)		134	143543	Gasket	
35	140393	Clamping Screw (2)		135	146694	LIFTING BRACKET	with 1057
36	143612	DRIVING ARM CONNECTION	with four 175	136	1057	Pinch screw	
37	175	Cap Screw (4)		137	146751	Bushing (lower)	
38	139070	Ball Screw Stud		138	146752	PRESSER BAR STOP	with 190
39	1047	Set Screw		139	190	Presser Bar Stop Pinch Screw	
40	139496	DRIVING ARM	with 1047	140	139462	Presser Foot Screw	
41	143613	DRIVING ARM 139496	with 139070 and 143612	141	1133	Presser Bar	
42	139097	SHAFT COLLAR	with 1454	142	139138	PRESSER FOOT (triple hinged)	with 37160, 139134, 139135, 139137, 146167 and three 26276
43	1454	Pinch Screw		143	37160	Spring (small)	
44	446	Set Screw		144	26276	Hinge Pin (3)	
45	139074	Slide Block		145	139137	Presser Foot Plate (back)	
46	143482	Stud		146	146167	Presser Foot Shank Plate Connection	
47	140202	Screw (4)		147	139135	Presser Foot Plate (front)	
48	140999	Plug Screw		148	139281	Thread Tube (side)	
49	143435	Screw Gasket		149	1255	Feed Dog Screw	
50	140295	Cover Screw (14)		150	443	Set Screw	
51	143433	Bed Cover		151	1520	Lock Nut	
52	143434	Gasket (cork)		152	139516	Hinge Pin (eccentric)	
53	51570	Tension Regulating Thumb Nut (2)		153	139046	Slide Block	
54	59537	Spring Bushing (large) (2)		154	704	Screw (short)	
55	131741	Tension Spring (2)		155	172	Screw (long)	
56	59538	Spring Bushing (small) (2)		156	140440	Plug Screw	
57	32572	Releasing Disc (2)		157	12982	Needle Bar Bushing (upper)	
58	2102	Tension Disc (4)		158	1133	Set Screw	
59	50326	Tension Screw Stud (2)	50326 with 51570	159	143492	Oil Wick Guide Tube	
60	54388	Releasing Pin (2)		160	143427	ARM ROTARY SHAFT	143426 with 140359, 143236, 143494
61	131896	Thread Guide (2)		161	143494	CONNECTING LINK	with 139533 and 143495
62	146676	Lifting Bracket Lifter		162	140061	Pinch Screw	
63	807	Hinge Screw		163	143495	STUD	with 140061 and 143619
64	143510	Lifting Lever		164	139533	Screw Cap	
65	802	Hinge Screw		165	143426	ARM ROTARY SHAFT Position Screw	with 1036 and 140542
66	59539	TENSION SCREW STUD (2)		166	140542	Position Screw	
67	161	Extension Screw (2)		167	1036	Set Screw	
68	110	Hinge Screw (2)		168	140552	Hinge Stud Clamping Screw	
69	146620	Connecting Link		169	147079	Eyelet Bushing (2)	
70	54872	CRANK	with 624	170	143523	Needle Thread Take-up	
71	140610	Arm Hole Plug Screw		171	12977	Needle Bar Bushing (lower)	
72	624	Set Screw		172	1133	Set Screw	
73	143511	Lifting Lever Spring		173	143488	Needle Bar	
74	140090	Screw (upper)		174	143497	Thread Guide	
75	1443	Screw (2)		175	139116	NEEDLE CLAMP	with two 1498
76	121449	Clamping Plate		176	1498	Needle Set Screw (2)	
77	139366	Slide		177	143489	NEEDLE BAR	143488 with 139116 and 143497
78	68003	Releasing Shaft		178	691	Throat Plate Screw (3)	
79	121586	Lap Seam Feller (adjustable)		179	139538	Throat Plate	
80	229	Screw (4)		180	143457	Oil Connection	
81	140061	Screw (lower) (3)		181	120	Screw (2)	
82	206	Screw		182	143459	Slide Block Cover (back)	
83	143498	Needle Guard (3/32 to 3/16" Gauge)		183	143460	Slide Block Cover (front)	
	143541	Needle Guard (7/32 to 9/32" Gauge)		184	1324	Pinch Screw	
84	143487	Looper Thread Guide		185	139257	CRANK	with 1324
85	143452	Looper (back)		186	143491	OIL WICK	143490 with 146703 and two 146580
86	143453	Looper (front)		187	146580	Oil Wick Clip (2)	
87	143472	LOOPER GATE (right)	143471 with 51282 and 143477	188	146703	Oil Wick Clamp and Retainer	
	143474	LOOPER GATE (right)	143473 with 51282 and 143477	189	143490	Oil Wick	
	143476	LOOPER GATE (right)	143475 with 51282 and 143477	190	1485	Screw (2)	
88	143477	Lock Spring		191	143500	OIL PIPE	with two each 143124 and 143125
89	51282	Screw		192	226	Screw (2)	
90	143471	Looper Gate (right) for 2 1/32" Throat Plate		193	143125	Sleeve Nut (6)	
	143473	Looper Gate (right) for 3/4" Throat Plate		194	143124	Sleeve (6)	
	143475	Looper Gate (right) for 7/8" Throat Plate		195	143126	Sleeve Adaptor (5)	
91	143478	Hinge Pin (2)					
92	139535	COLLAR AND SUPPORT	with 51369 and two 1253				
93	139537	Feed Dog					
94	143448	Feed Bar					
95	225	Plug Screw					
96	51369	Pinch Screw					

☐ State gauge required  
● State color required